
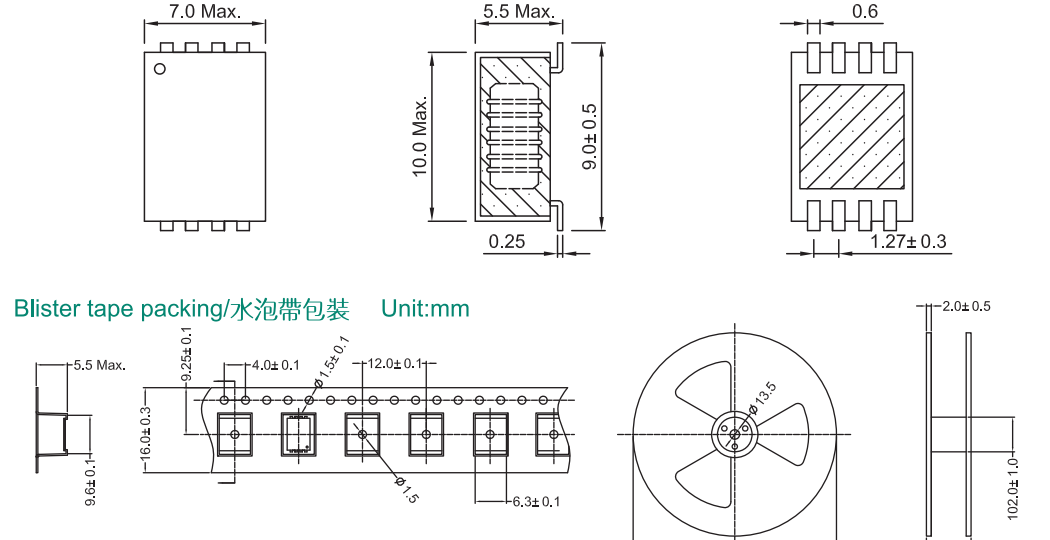


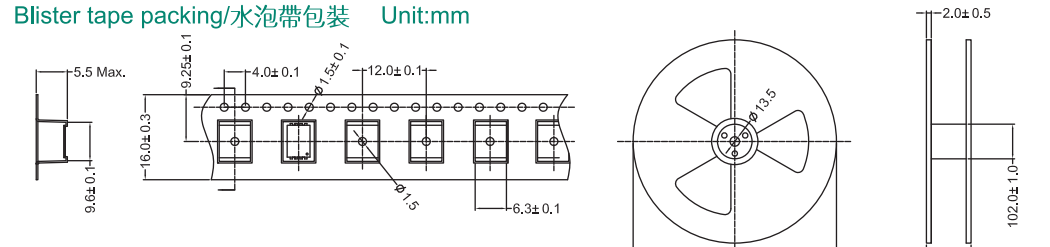
## Isolation /Gate drive transformer 隔離（柵極驅動）變壓器

	<p><b>Core shape:</b> Ring Type</p> <p><b>Features:</b></p> <ul style="list-style-type: none"> <li>• Designed for IGBT gate drive circuits</li> <li>• Operating frequency 50KHz-1MHz</li> <li>• High isolation from gate to drive</li> <li>• Designed with toroidal core and completed potting process</li> <li>• Custom made is available</li> <li>• RoHS compliance</li> </ul>	<p><b>磁芯形狀:</b> 環形</p> <p><b>特性:</b></p> <ul style="list-style-type: none"> <li>• 專為IGBT柵極驅動電路設計</li> <li>• 工作頻率: 50KHz~1MHz</li> <li>• 柵極 / 驅動極絕緣隔離度高</li> <li>• 採用完全灌封工藝及環形鐵芯設計</li> <li>• 可依照客戶要求設計</li> <li>• 符合RoHS標準</li> </ul>
---	--	---

### Shape and external dimension/機械尺寸mm.



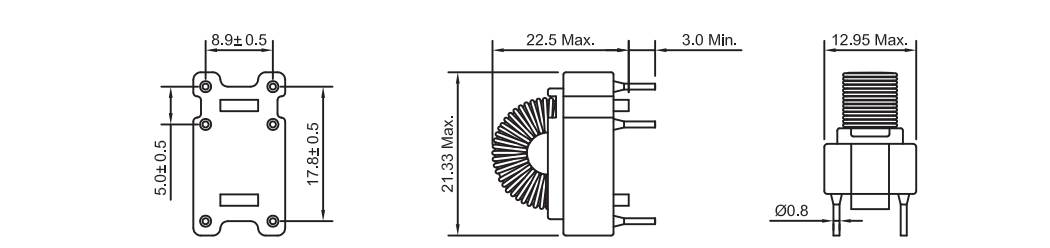
Blister tape packing/水泡帶包裝 Unit:mm



### Electronical characteristics/電氣特性

Model/型號	Turn ratio Np : Ns	Inductance Pri @1KHz/50mv (uH)	DCR(mΩ) Pri (Max.)	Voltage-time V.us	Isolated Voltage DC (KV)
GBIO-1:1-ST	1:1	400Min.	350	7	0.5

### Shape and external dimension / 機械尺寸mm.



### Electronical characteristics/電氣特性

Model/型號	Turn ratio Drive: Gate:Gate	Inductance Drive @1KHz/50mv (uH)	DCR(mΩ) Drive (Max.)	Voltage-time V.us	Isolated Voltage DC (KV)
GBIO-1:1:1-PT	1:1:1	450Min.	96	95	3.0
GBIO-1:1:1-PT	1:1:1	650Min.	852	115	3.0