
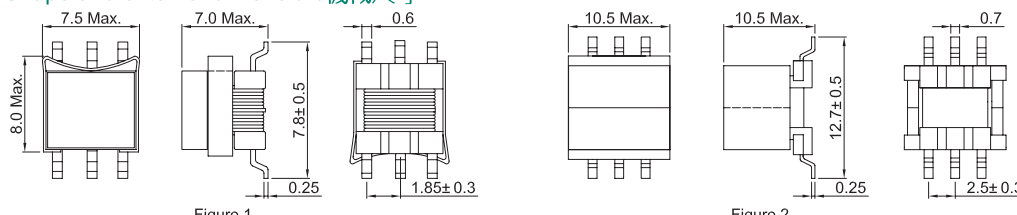


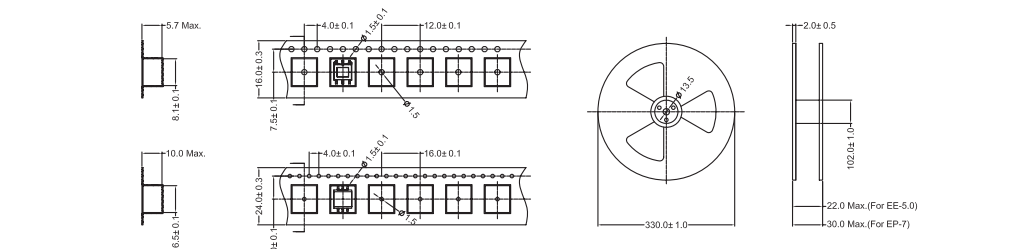
## Isolation /Gate drive transformer 隔離（柵極驅動）變壓器

	<p><b>Core shape:EE&amp;EP</b></p> <p><b>Features:</b></p> <ul style="list-style-type: none"> <li>•Designed for IGBT gate drive circuits</li> <li>•Operating frequency 50KHz-1MHz</li> <li>•High isolation from gate to drive</li> <li>•Standard EE-5/EP-7 surface mounted packing</li> <li>•Custom design is available</li> <li>•RoHS compliance</li> </ul>	<p><b>磁芯形狀:EE&amp;EP</b></p> <p><b>特性:</b></p> <ul style="list-style-type: none"> <li>•專為IGBT柵極驅動電路設計</li> <li>•工作頻率: 50KHz~1MHz</li> <li>•柵極 / 驅動極絕緣隔離度高</li> <li>•採用標準的EE-5/EP-7 SMD貼片封裝</li> <li>•可依照客戶要求設計</li> <li>•符合RoHS標準</li> </ul>
---	--	--

**Shape and external dimension/機械尺寸mm.**



**Blister tape packing/水泡帶包裝 Unit:mm**



## Electronical characteristics/電氣特性

### EE-5 Series/系列

Model/型號	Turn ratio Np : Ns	Inductance Pri @1KHz/50mv (uH)	DCR(Ω) Pri (Max.)	Voltage-time V .us	Isolated Voltage DC (KV)
GBIO-1:1-S	1:1	350	1	22	0.5
GBIO-1:5:1-S	1:5:1	650	1.65	38	0.5
GBIO-2:5:1-S	2:5:1	450	1.5	30	0.5

### EE-7 Series/系列

Model/型號	Turn ratio Np : Ns	Inductance Pri @1KHz/50mv (uH)	DCR(Ω) Pri (Max.)	Voltage-time V .us	Isolated Voltage DC (KV)
GBIO-1:1-S	1:1	400Min.	0.50	66	2.5
GBIO-1:2-S	1:2	245Min.	0.40	52	2.5
GBIO-1:3-S	1:3	110Min.	0.35	36	2.5
GBIO-2:1-S	2:1	990Min.	0.75	100	2.5