
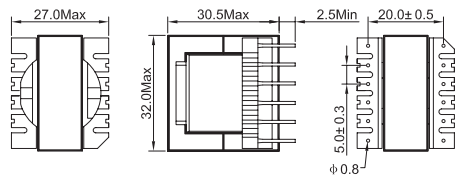
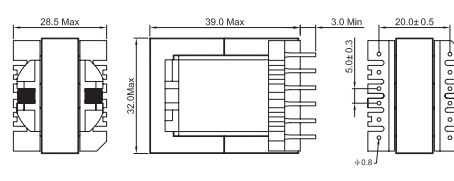


Switching power transformer / 開關電源變壓器

	<p>Core shape: ER-28</p> <p>Features:</p> <ul style="list-style-type: none"> •Low-loss/ High saturation magnetic flux density ferrite •Compatible with multiple output switch-mode power supplies •High-power output •A wide range of output •Safety standards approved •RoHS Compliance 	<p>磁芯形狀: ER-28</p> <p>特性:</p> <ul style="list-style-type: none"> •採用低損耗高飽和磁通密度鐵氧體磁芯進行設計 •適用於多組輸出的開關電源 •高功率輸出 •輸出範圍寬 •符合安全標準 •符合RoHS標準
<p>Shape and external dimension / 機械尺寸mm.</p> <div style="display: flex; justify-content: space-around;"> <div data-bbox="295 705 758 884">  <p>Figure 1</p> </div> <div data-bbox="861 705 1316 884">  <p>Figure 2</p> </div> </div>		

Electronical characteristics / 電氣特性

Core shape 磁芯形狀	ER-28/28/11	ER-28/34/11
Center leg area 磁芯中柱面積 A_e mm ²	82.1	85.6
Length of magnetic circuit 磁路長度 L_e mm	64.0	73.2
Volume 體積 V_e mm ³	5254	6266
Bobbin type 線架類型	Vertical/立式	Vertical/立式
External dimension 外觀尺寸 W*D*H mm	32*27*30.5	32*28.5*39
Maximum output 最大輸出功率 VA	228	228
Drawing No.圖紙號	Figure 1	Figure 2

Note: The design bases on: 1.Forward model 2.PC40 series ferrite 3.Switching frequency: 100 KHz
 注意: 本設計基于 1.正激式變換器 2.PC40系列鐵氧體 3.開關頻率:100 KHz