

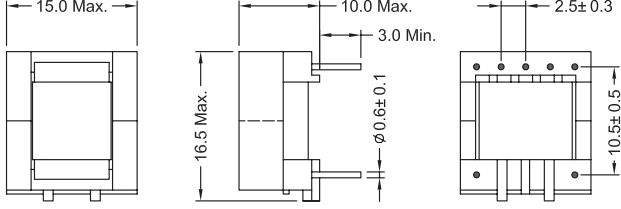


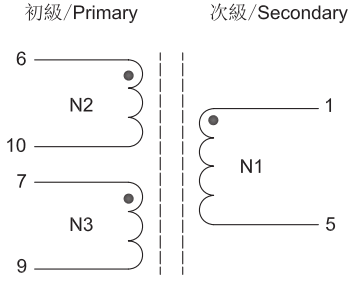
Inverter transformer / 逆變器用變壓器

	<p>Core shape: UI,EPC,EEL Features:</p> <ul style="list-style-type: none"> •Operating temperature range: -10°C to +85°C •Output voltage : 1800 Vrms Max. •Operating frequency : 40 KHz~200KHz •Lamp wattage : 3.5 ~ 18 Watts •RoHS Compliance <p>Applications:</p> <ul style="list-style-type: none"> •CCFL (Cold-cathode fluorescent light) •LCD, TFT •Back photosource 	<p>磁芯形狀: UI,EPC,EEL 特性:</p> <ul style="list-style-type: none"> •工作溫度範圍:-10°C to +85°C •輸出電壓:1800 Vrms Max. •工作頻率:40 KHz~200KHz •燈管功率:3.5 ~ 18瓦特 •符合RoHS標準 <p>應用範圍:</p> <ul style="list-style-type: none"> •冷陰極熒光液晶顯示器 •液晶顯示設備 •各類背光源
---	--	--

EPC13 Series/EPC13 系列

	<p>Shape and external dimension/機械尺寸mm.</p> 
---	---

Typical application/典型應用

Parameters 參數	Model/型號		Schematic diagram 電氣原理圖
	GBC-01	GBC-02	
Turn ratio (P:S)	1:67	1:67	 <p>初級/Primary 次級/Secondary</p>
Turn ratio (P:f)	1:0.18	1: 0.16	
Inductance: Pri.	50uH	90uH	
Input voltage	23V	22V	
Output power	3~6W	3~6W	
Secondary current	4mA	5mA	
Output voltage	2000V	1800V	
Dielectric strength (P-S)	2.5KV	2.5KV	